



匯統國際股份有限公司

Huey Tung International Co., Ltd.

產品規格書 Specification

[Model : HT-5101(1400194)/ 2014.10.20 version]



Cara Audio Corporation

No.69, Lane 762, Dingzhong Road, Sanmin District, Kaohsiung City, Taiwan, ROC.


Tel: 886-7-310 5786 / Fax: 886-7-310 0783

E-mail: carawang@hueytung.com.tw / <http://www.hueytung.com.tw>

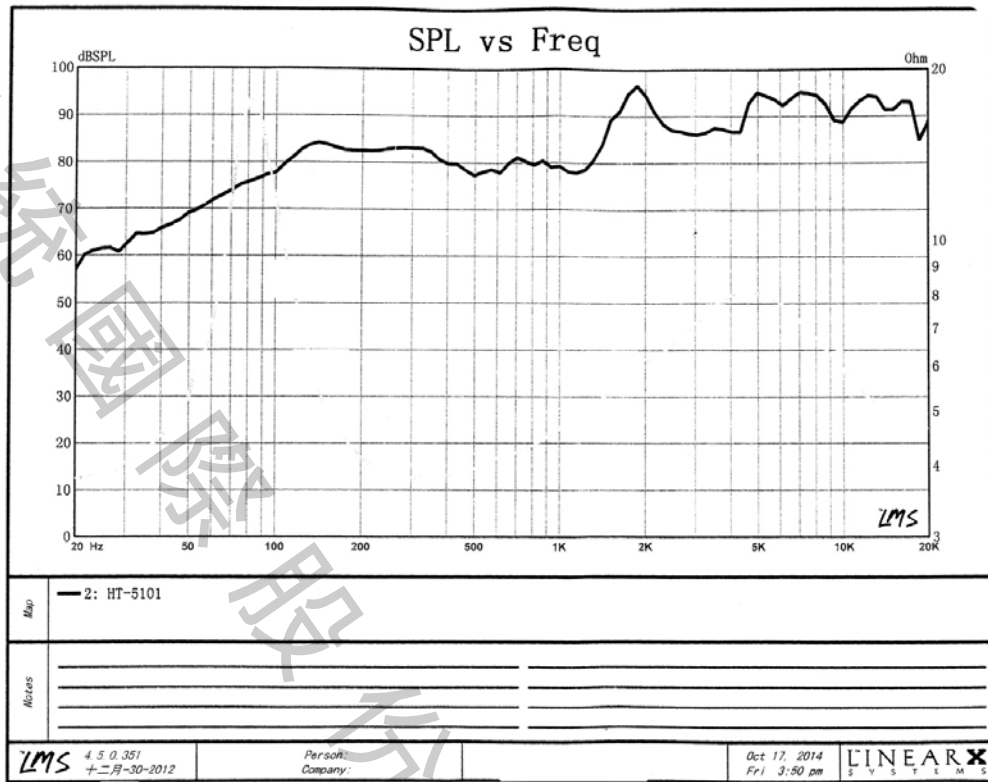
揚聲器製品規格書

SPEAKER SPECIFICATION

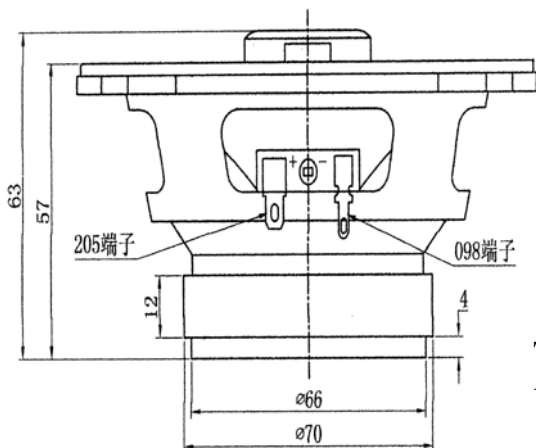
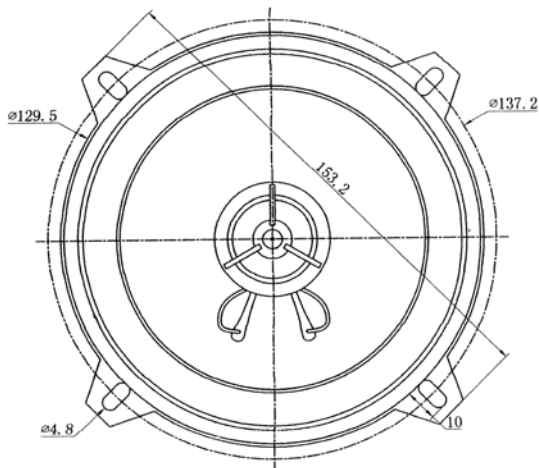
型號:Model Number : HT-5101(1400194)

項目 Items		規格 Specification			
1	公称阻抗 Nominal Impedance	4Ω±15%			
2	最低共振周波数 Lowest Resonance Frequency	85Hz±20 % Hz At 1.0 v			
3	实效周波数带域 Effective Frequency Range	F0~20KHz -10dB			
4	出力音压 Output Sound Pressure Level	80dB±3dB 1W/1M at(600,800, 1K, 1.2K)Hz AVE.			
5	入力 Input	定格入力 Rated input 15 W	最大入力 Maximum input 30 W		
6	磁束密度 Flux Density	-----±10% GAUSS			
7	异常音试验电压 Buzz & Rattle Test	Must be normal at sine wave 7V			
8	动作试验电压 Operation Test	Must be normal			
9	极性 Polarity	從 SPK 端子正級輸入正電流，另一端輸入負電流時，振動板向前推動			
10	磁石尺寸/重量 Magnet Dimension/Weigh	70*32*12 Y30	/G		
11	连续负荷试验 Life Test	DIN45573 15W 8H	After the Test, Speaker should be meet the Outside and item 7,8		
12	耐热试验 Heat Resistance	70±5℃ 30~35% RH 8 hours and then room temperature 1 hours			
13	耐湿试验 Humidity Resistance	40±2℃ 90~95% RH 8 hours and then room temperature 1 hours			
14	耐寒试验 Cold Resistance	/			
15	落下试验 Drop Test	/			
16	绝缘耐压试验 Insulation Resistance	/			
17	周波数特性 Frequency Response Curve	参照附图 On Other Drawing			
18	失真率 Distortion	/			
19	各部 材质	Cone Paper	Foam Edge+ Paper Cone		
		Voice Coil	25Φ*4Ω ASV 90°		
		Cap	/		
20	总重量 Total Weight	/			
		Size: 153.2mm 試作發行: 2014. 10. 20	Approve: Arthur	Check: Chen	Design: WANG

音波曲線 Frequency: HT-5101(1400194)



成品圖和照片 Mechanical Dimensions : HT-5101(1400194)



Tolerance: ± 0.5
Unit: mm

